



Installation instructions, accessories

Volvo Car Corporation Gothenburg, Sweden

Instruction No	Version	Part. No.
31265296	1.3	39802098, 39802100, 39802102, 39802104, 39802106, 39802108, 39802112, 39802114, 39802116, 39802118, 39802120, 39802122, 39802126, 39802128, 39802130, 39802132, 39814567, 39820260, 39820262, 39820264

Spoiler, boot lid



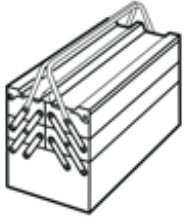
IMG-340286



Installation instructions, accessories

Volvo Car Corporation Gothenburg, Sweden

Equipment



A0000162



IMG-239660



IMG-337358

VOLVO
9512942



IMG-239667



IMG-239663



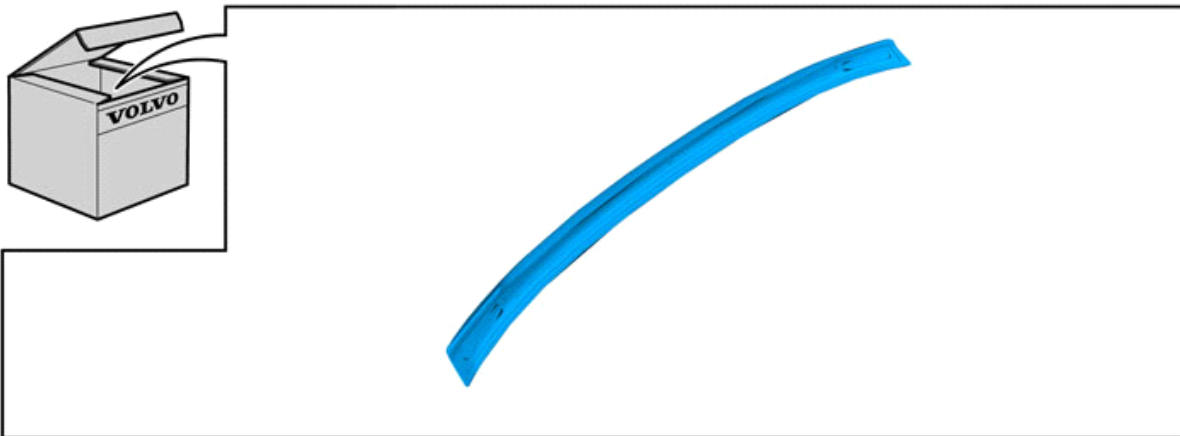
IMG-251688



IMG-332314



IMG-254087



IMG-340287



Installation instructions, accessories

Volvo Car Corporation Gothenburg, Sweden

INTRODUCTION

Read through all of the instructions before starting installation.

Notifications and warning texts are for your safety and to minimise the risk of something breaking during installation.

Ensure that all tools stated in the instructions are available before starting installation.

Certain steps in the instructions are only presented in the form of images. Explanatory text is also given for more complicated steps.

In the event of any problems with the instructions or the accessory, contact your local Volvo dealer.

Note!

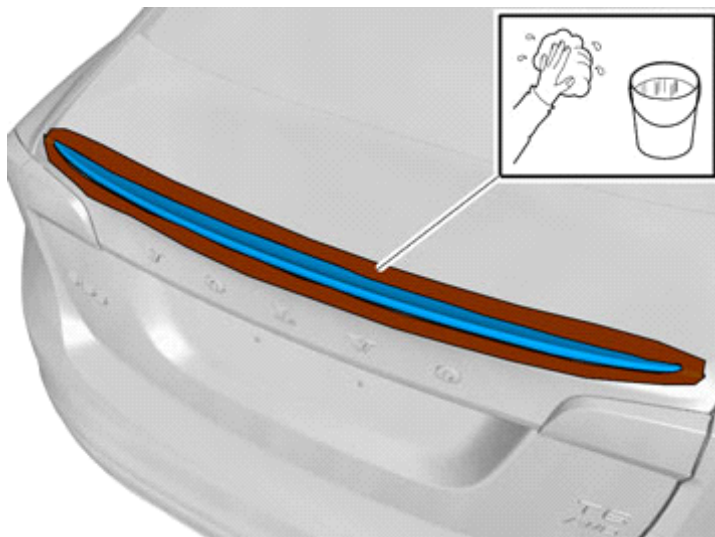
Do not carry out work at temperatures below 20°C(68°F). Do not use the vehicle within 1 hour of carrying out the work.

Note!

Do not wash the vehicle within 72 hours after doing the work.

Preparations

1



IMG-344561

Preparations

Applies to cars with standard spoiler

Clean around the spoiler.

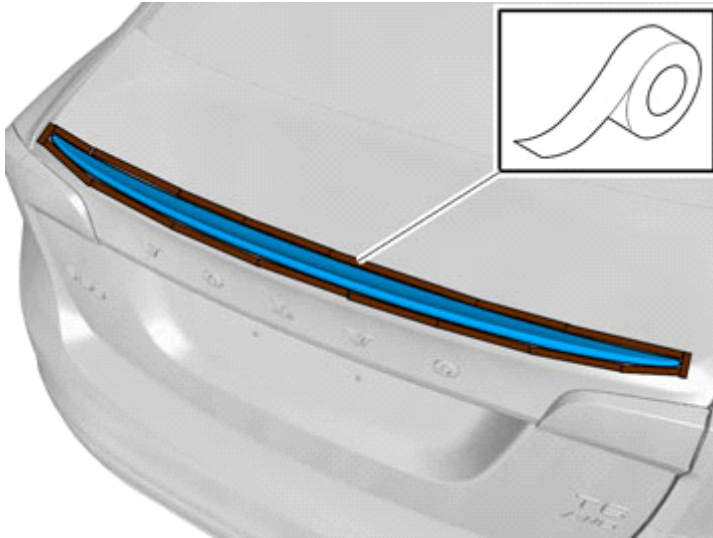
Wipe dry.



Installation instructions, accessories

Volvo Car Corporation Gothenburg, Sweden

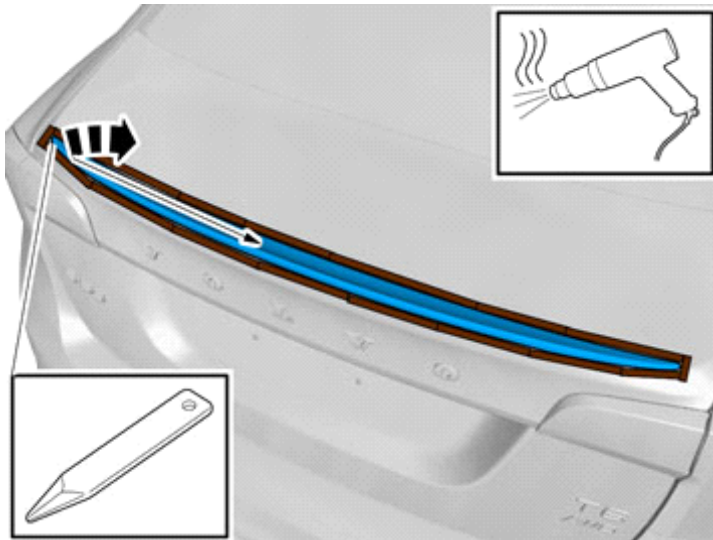
2



IMG-344560

Tape around the spoiler.

3



IMG-344558

Heat around the edges of the spoiler and carefully pry it off using a weatherstrip tool. Do not damage painted surfaces.

4



IMG-344557

Remove the masking tape.



Installation instructions, accessories

Volvo Car Corporation Gothenburg, Sweden

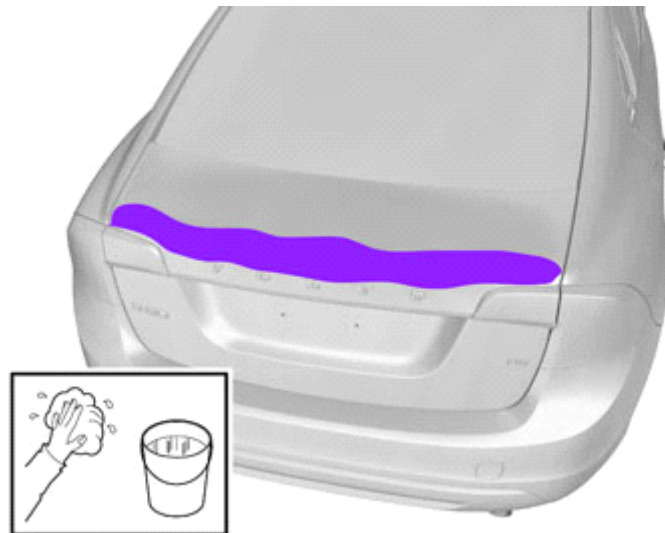
5



Remove any tape residue: Use circular grinding tool **part no. 9512942** installed on the drill.

IMG-344559

6



Applies to all models

Clean the marked area on the boot lid.

Wipe dry.

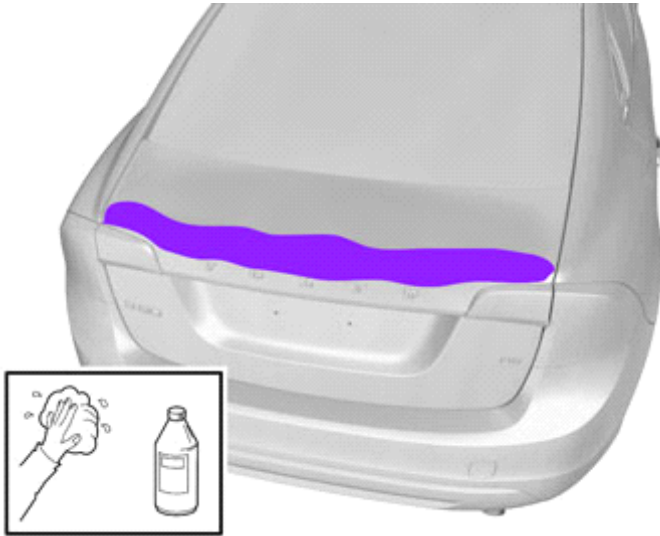
IMG-340296



Installation instructions, accessories

Volvo Car Corporation Gothenburg, Sweden

7

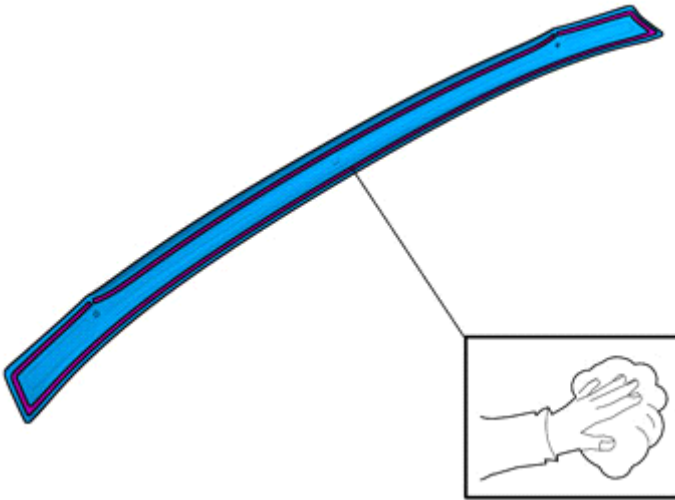


IMG-340486

Clean the marked area on the boot lid using isopropanol.

Wipe dry.

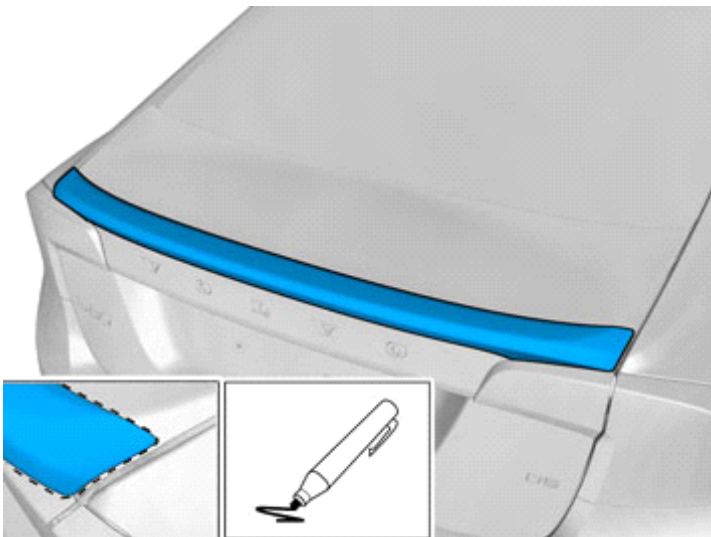
8



IMG-340294

Wipe clean the protective tape on the spoiler's attachment tape before marking up on the boot lid.

9



IMG-340488

Note!

Get help from a colleague for this procedure.

Position and centre the spoiler on the boot lid panel.

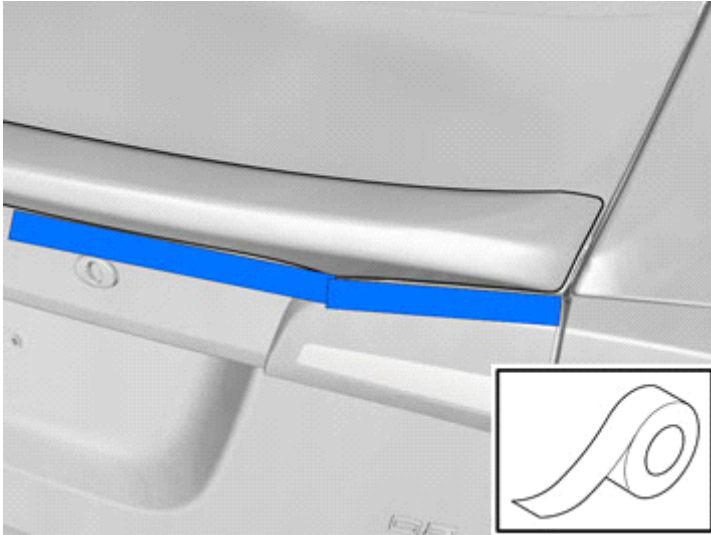
Mark its position laterally and longitudinally using a white-board marker.



Installation instructions, accessories

Volvo Car Corporation Gothenburg, Sweden

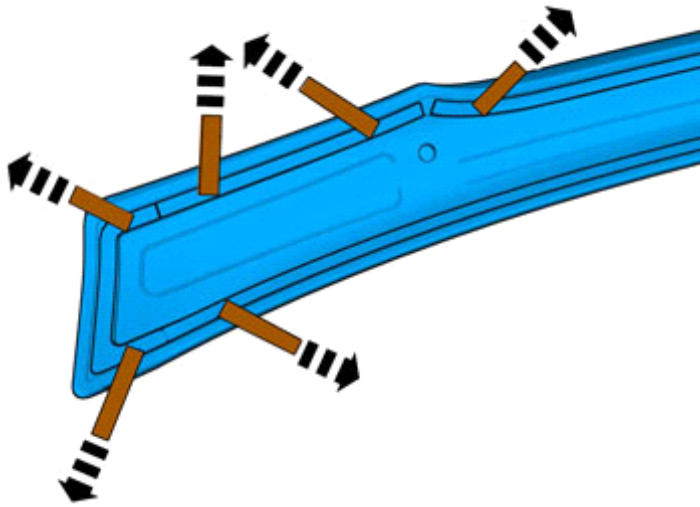
10



IMG-340489

Remove the spoiler and tape along the marking on the boot lid's rear edge to prevent primer spillage. Fold up the lower edge of the tape so that any excess primer ends up there.

11A



IMG-340289

Illustrations A and B

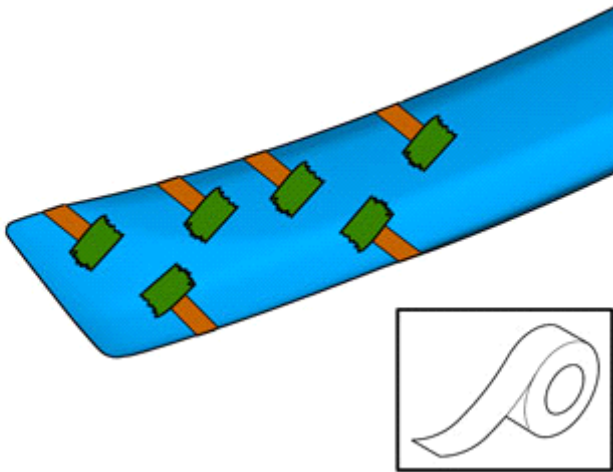
Detach the backing tape from the attaching tape on both sides, fold it up and secure it using a piece of tape on top of the spoiler.



Installation instructions, accessories

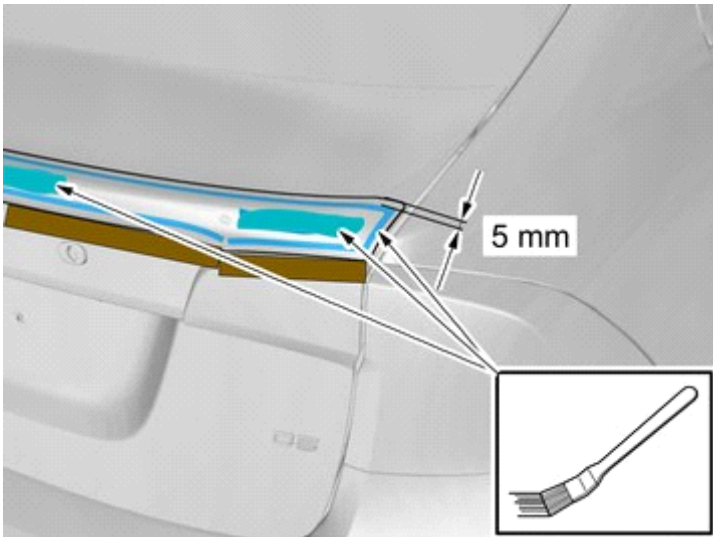
Volvo Car Corporation Gothenburg, Sweden

11B



IMG-340293

12A



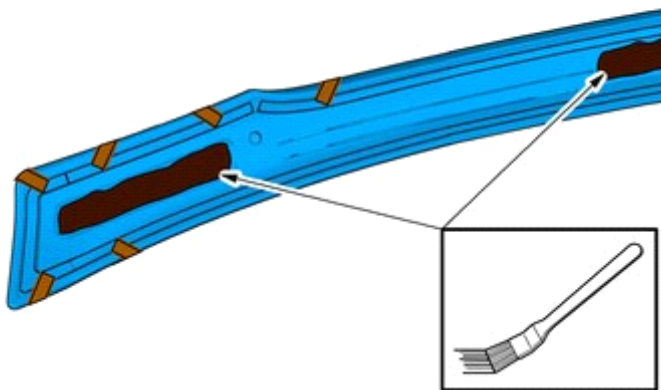
IMG-340291

Illustrations A and B

Apply a bead of primer to the boot lid, **5 mm (13/64")** within the markings, and the wider area on both ends and in the centre of the boot lid. Ensure that primer does not get on other surfaces, if so, clean with isopropanol.

Apply primer within the markings at the sides of the spoiler and in the centre.

12B



IMG-340290



Installation instructions, accessories

Volvo Car Corporation Gothenburg, Sweden

13

10min

Allow the primer to dry for 10 minutes.

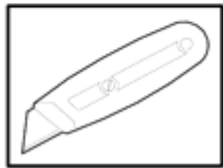


J8401215

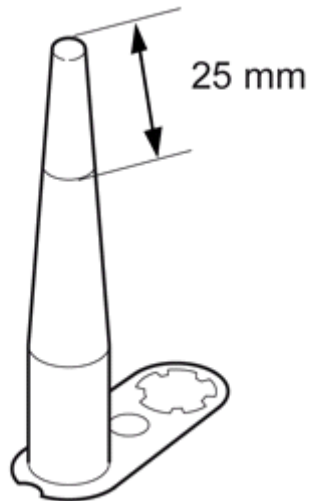
14A

Illustrations A and B

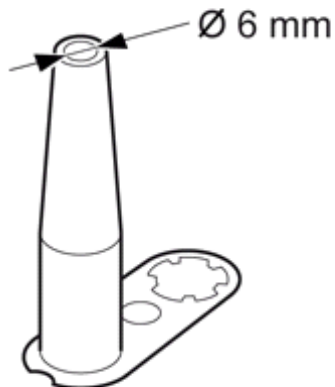
Cut off the nozzle so that the inner diameter becomes approx. 6 mm.



IMG-340712



14B



IMG-340713

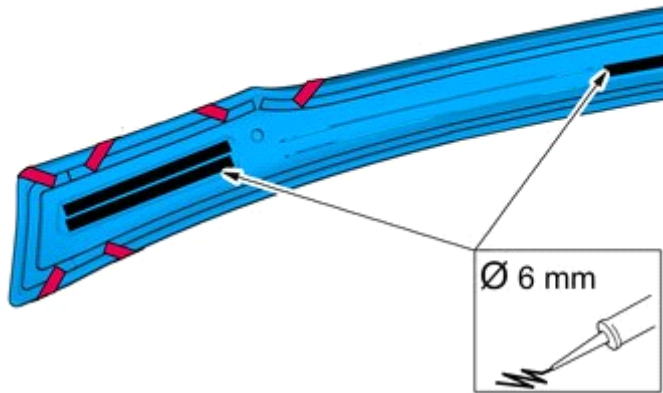


Installation instructions, accessories

Volvo Car Corporation Gothenburg, Sweden

15

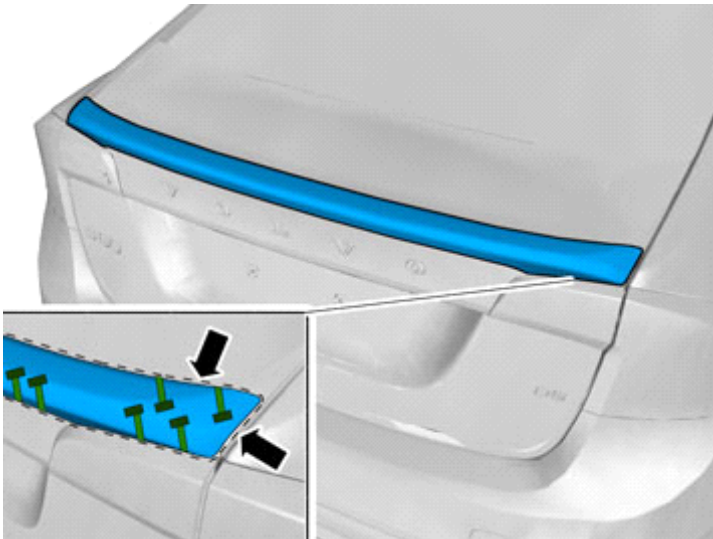
Apply adhesive to the marked areas on both sides of the spoiler and in the centre.



IMG-340501

16

Remove the tape from the rear edge of the boot lid.



IMG-340506

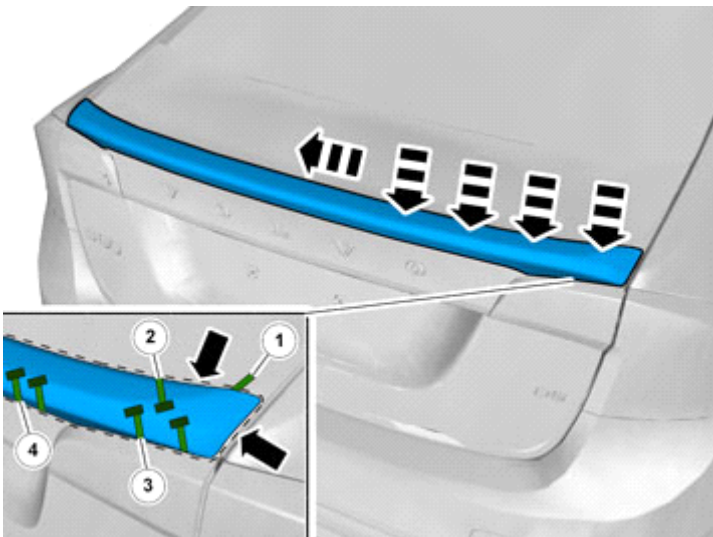
Hint

Two mechanics are needed for steps 17-18.

Move the spoiler carefully down towards the boot lid. Place it edge-to-edge at the start of the marking on one side of the boot lid, and at the piece of tape at the front edge. Keep depressed.

17

Carefully pull off the spoiler's protective tape, maintaining the position of the spoiler. Start by pulling off the protective tape (1) on the ends first, then at the front edge (2), then the short rear (3) then the long rear (4).



IMG-340507

Secure the spoiler as the protective tape is removed. Bend the spoiler so that it follows the markings on the boot lid at the front edge of the spoiler. Do not secure the spoiler too close to where the protective tape is pulled off. If the tape adheres, try to carefully pry the spoiler up slightly to make it easier to remove the protective tape.



Installation instructions, accessories

Volvo Car Corporation Gothenburg, Sweden

18



Press the spoiler so that the tape adheres properly.

Clean off the markings using isopropanol.

IMG-340295